

TRANSFORMERS

DARK OF THE MOON™

AGES 5+

32031/32029 ASST.

DECEPTICON®

INTERMEDIATE

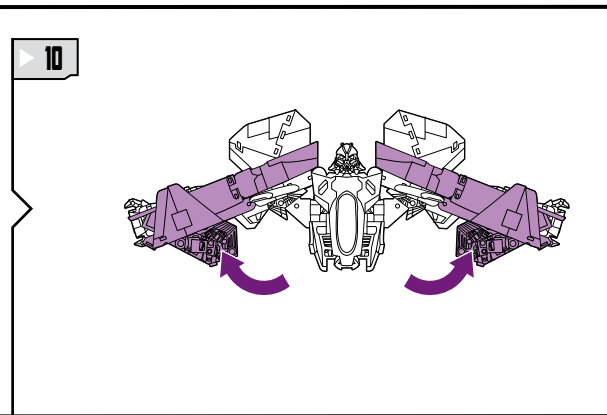
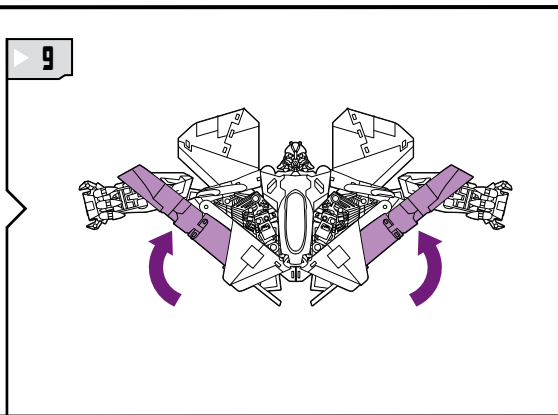
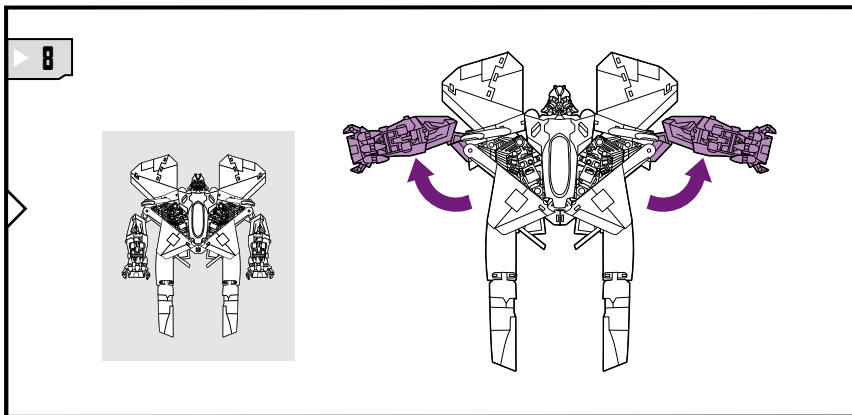
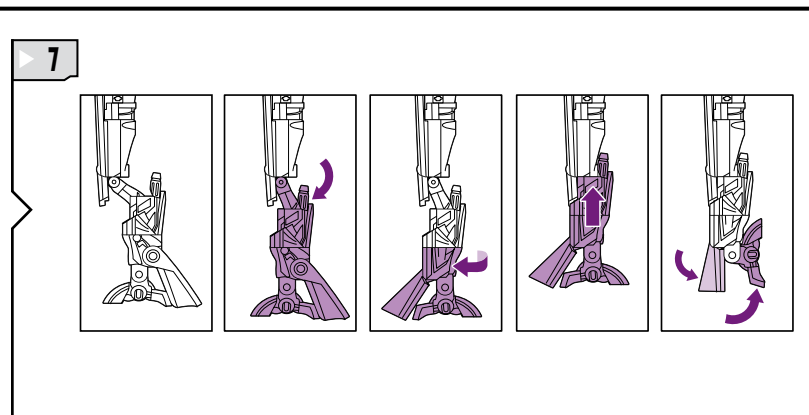
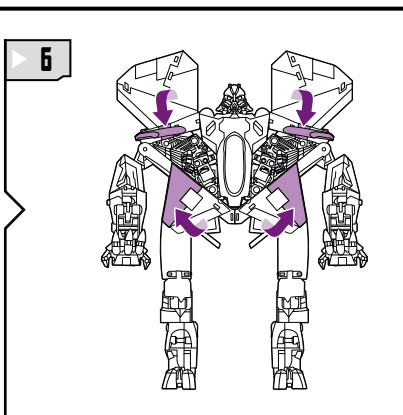
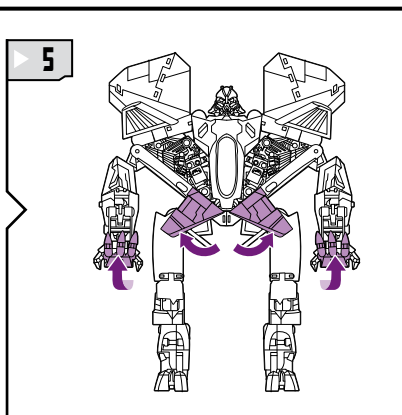
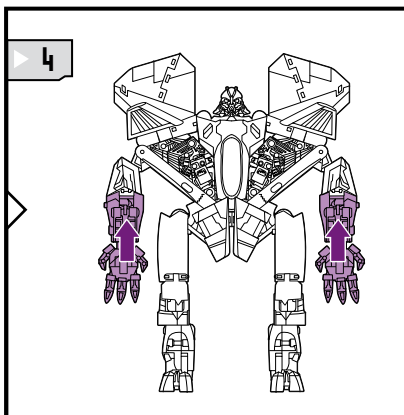
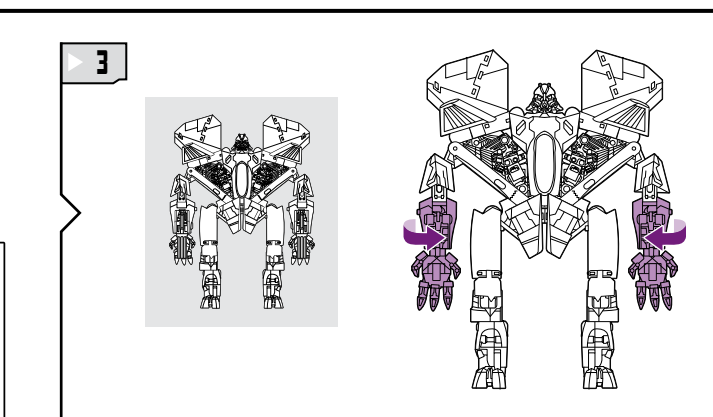
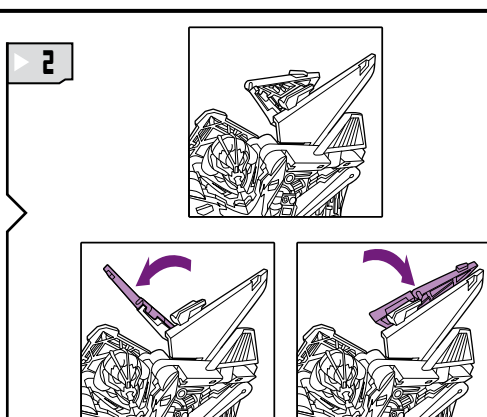
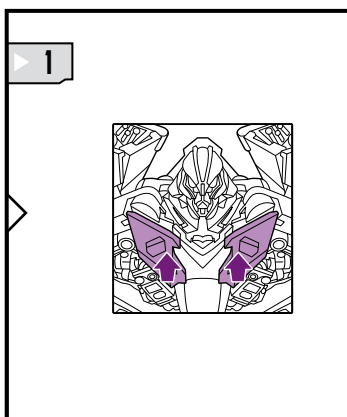
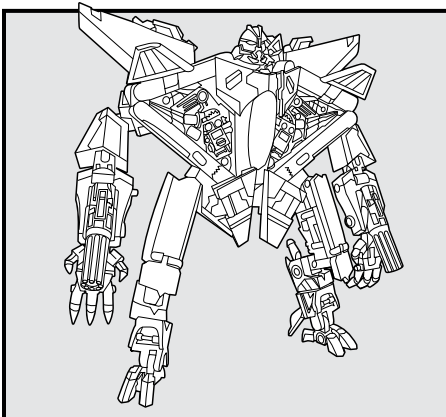
STARSCREAM®

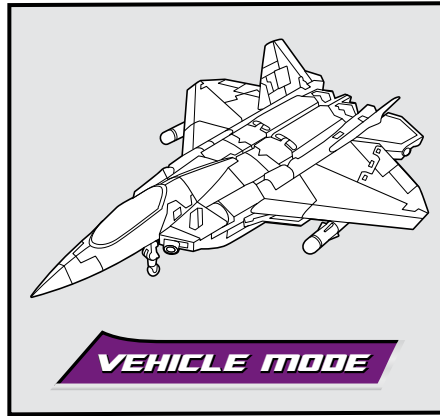
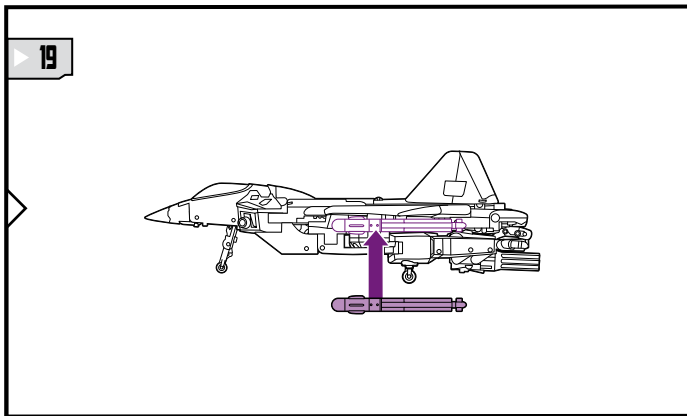
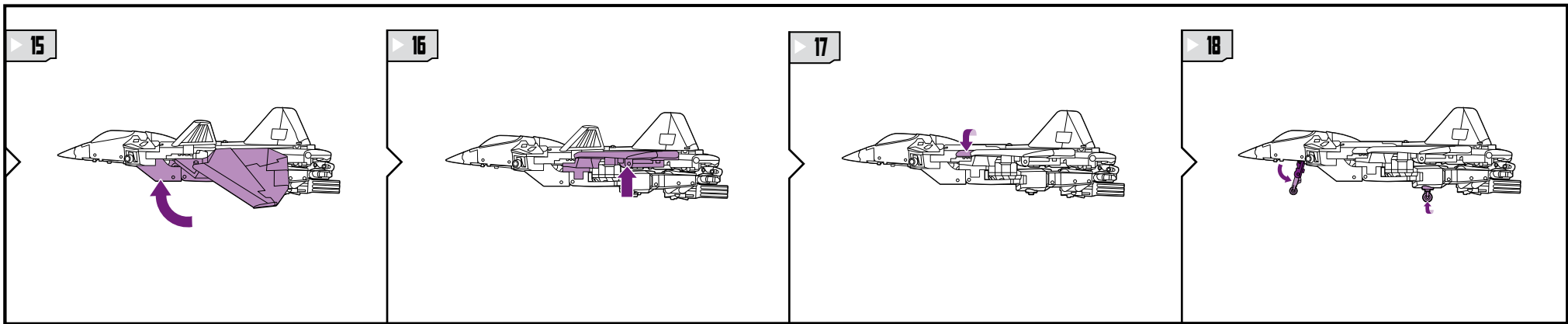
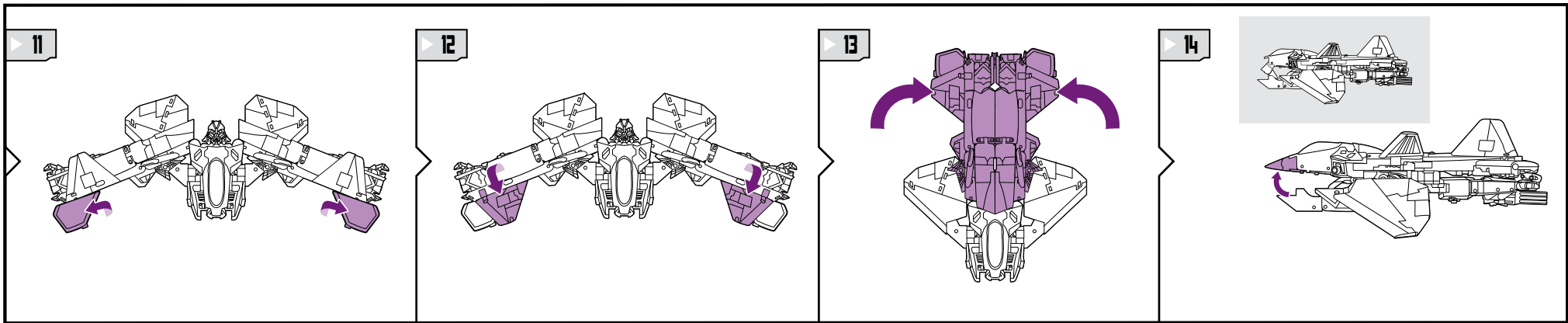
LEVEL: 1 2 3

NOTE: Some parts are made to detach if excessive force is applied, and are designed to be reattached if separation occurs. Adult supervision may be necessary for younger children.

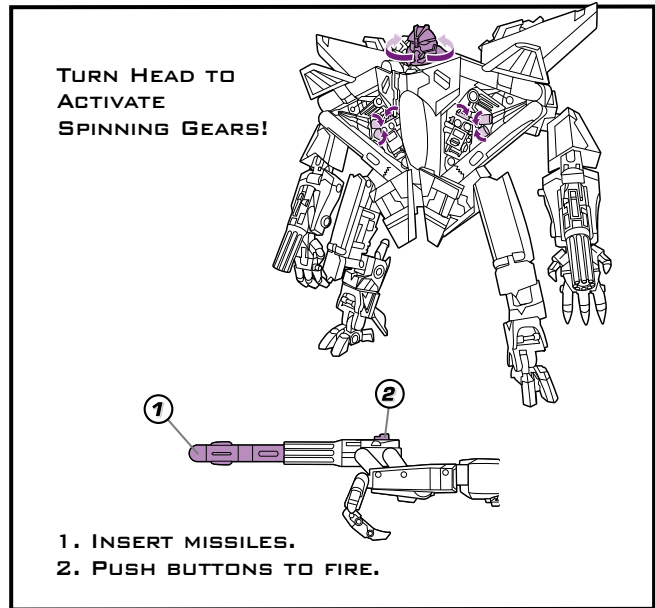


CHANGING TO VEHICLE





REVERSE ORDER OF INSTRUCTIONS
TO CONVERT BACK TO ROBOT.



P/N 714055000



Retain instructions for future reference.
Product and colors may vary. Some poses may require hand support.
© 2010 Paramount Pictures Corporation.
Manufactured under license from TOMY Company, Ltd.
®* and/or TM* & © 2010 Hasbro. All Rights Reserved. TM & © denote U.S. Trademarks.



LOCKHEED MARTIN, F-22 Raptor, associated emblems and logos, and body designs of vehicles are either registered trademarks or trademarks of Lockheed Martin Corporation in the USA and/or other jurisdictions, used under license by DreamWorks, LLC.

TRANSFORMERS.COM/INSTRUCTIONS